

Condensation Sensor

Condensation sensor with LED signal. Designed to provide a switched output signal to prevent condensation on chilled surfaces such as chilled beams. NEMA 4X / IP65 rated enclosure. Also available with a 6 ft/2 m remote probe cable sensor.



Type Overview

Type	Output Signal Condensation Detector Switch	Additional Features
22HH-50	changeover	internal sensor

Technical Data

Electrical Data	Power Supply DC	15...24 V, ±10%, 0.8 W
	Power Supply AC	24 V, ±10%, 1.6 VA
	Electrical Connection	removable spring loaded terminal block max. 11 GA [2.5 mm ²]
	Cable Entry	cable gland PG11 Ø6 to 10 mm, with strain relief Ø6 to 8 mm, 1/2" conduit adapter included
Functional Data	Output Signal Switch Note	changeover contact, isolated; max. 24 V / 1.0 A (resistive)
	Display	LED, green - power supply ok red - dew permeation
	Media	water
Measuring Data	Measured Values	condensation
	Materials	Cable Gland
Housing		cover: lexan, Belimo orange NCS S0580-Y6OR base: lexan, Belimo orange NCS S0580-Y6OR seal: 0467 NBR70, black
Safety Data		Ambient Humidity
	Ambient Temperature	-5°F to 120°F [-20°C to 50°C]
	Medium Temperature	-5°F to 140°F [-20°C to 60°C]
	Protection Class IEC/EN	III protective extra-low voltage (pelv)
	Protection Class UL	UL Class 2 Supply
	EU Conformity	CE Marking
	Certification IEC/EN	IEC/EN 60730-1
	Certification UL	pending
	Degree of Protection IEC/EN	IP65
	Degree of Protection NEMA/ UL	NEMA 4X
	Quality Standard	ISO 9001
	Weight	0.12 lbs

Safety Notes



The installation and assembly of electrical equipment should only be performed by authorized personnel.

The product should only be used for the intended application. Unauthorized modifications are prohibited! The product must not be used in relation with any equipment that in case of a failure may threaten, directly or indirectly, human health or life or result in danger to human beings, animals or assets. Ensure all power is disconnected before installing. Do not connect to live/operating equipment.

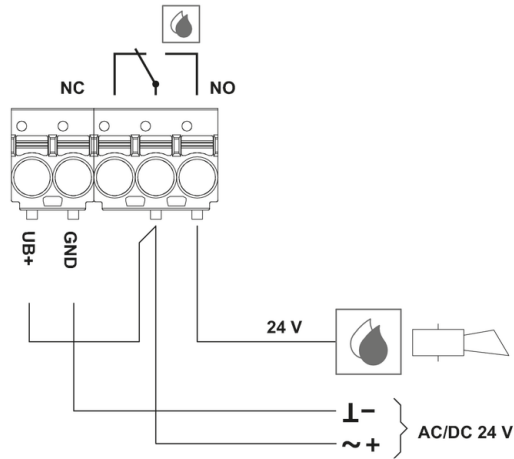
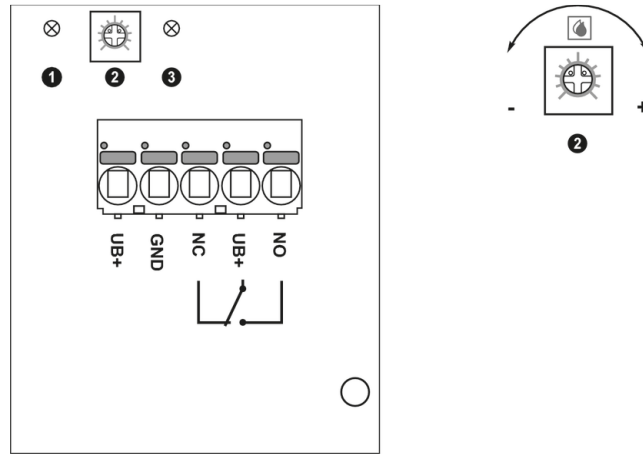
Please comply with

- Local laws, health & safety regulations, technical standards and regulations
- Condition of the device at the time of installation, to ensure safe installation
- This data sheet and installation manual

Accessories

Scope of Delivery	Description	Type
cable tie cable gland nut conduit 1/2" NPT		
Optional Accessories	Description	Type
	syringe thermal contact fluid	A-22P-A44

Wiring Diagram



- ① LED red: dew permeation
- ② Sensitivity adjustment
- less sensible
+ more sensible
- ③ LED green: power supply OK

Dimensions

